

SPECIFICATION

A: MATERIAL:

- 1.BODY: NYLON 66
- 2.TERMINAL: Cu PLATED Sn
- 3.PIN:Cu PLATED Ni

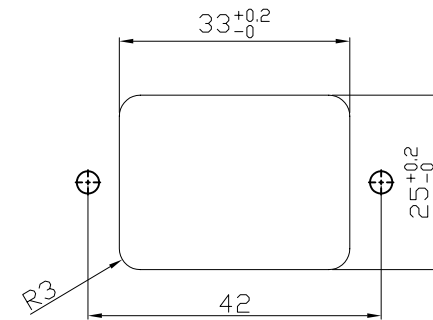
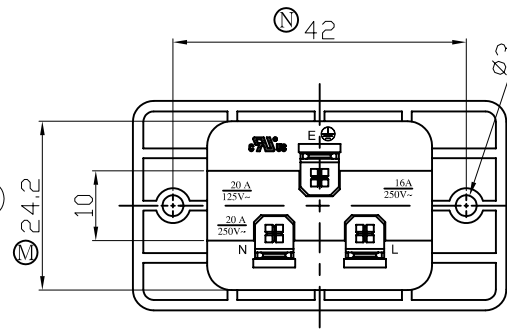
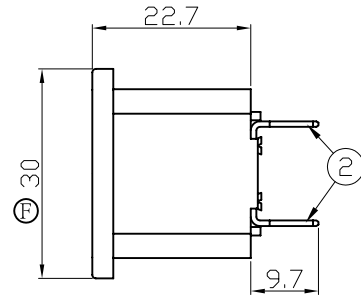
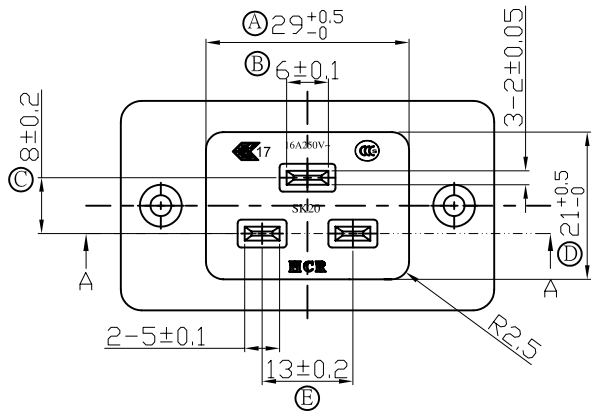
B: CHARACTERISTICS:

- 1.RATING: 20A 125V~/20A 250V~(C-ULus)
16A 250V~(ENEC & CCC)
- 2.INSULATION RESISTANCE:100MΩ MIN,AT 500VDC
- 3.ELECTRIC STRENGTH : 3000 VAC/1MIN,LEAKAGE CURRENT UNDER 0.5mA

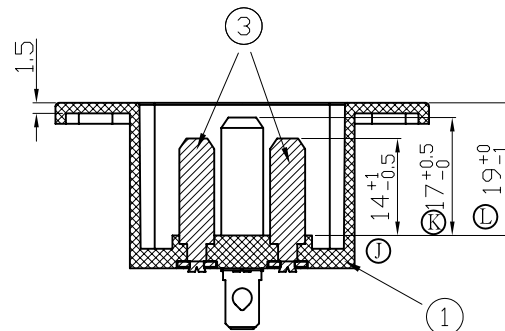
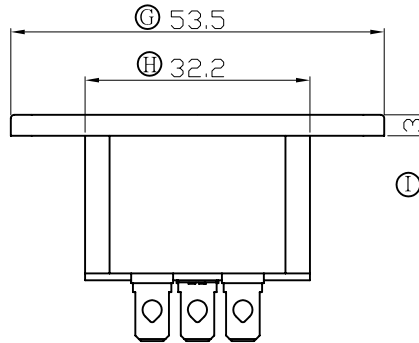
C: APPROVALS: C-ULus, ENEC & CCC

D: MATERIAL USED MUST BE COMPLY WITH HQI-0010

E: CAN MEET RoHS



PANEL CUT-OUT



SECTION A-A

TOLERANCES UNLESS OTHERWISE 未指定容許差尺寸之公差	
BASIC DIMENSIONS TOLERANCES	
UP TO 10 (10以下)	±0.15
ABOVE 10 TO 30(10~30)	±0.3
ABOVE 30 TO 100(30~100)	±0.5
ANGULAR DIMENSIONS(角度)	±5°
DIMENSION UNIT	mm

3					東莞市華之力電子有限公司 DONGGUAN HCR ELECTRONICS CO., LTD.								
2					核准 APPROVED BY	AaronJin	日期 DATE	20121227	投影法 PROJECT	機型 PART NAME	INLET SOCKET		
1					校對 CHECKED BY	RZTang	日期 DATE	20121227	比例 SCALE	型號 PART NO	SK20		
0	2012/12/27	1.新制訂	A0	WeiChen	RZTang	繪圖 DRAWN BY	WeiChen	日期 DATE	20121227	路徑 DWG NO	E:\成品圖 SK20\802002	料號 ITEM NO	SK20-0201010121
NO	DATE	REVISION DESCRIPTION	REVISION	DRAWN	APPROVED								